



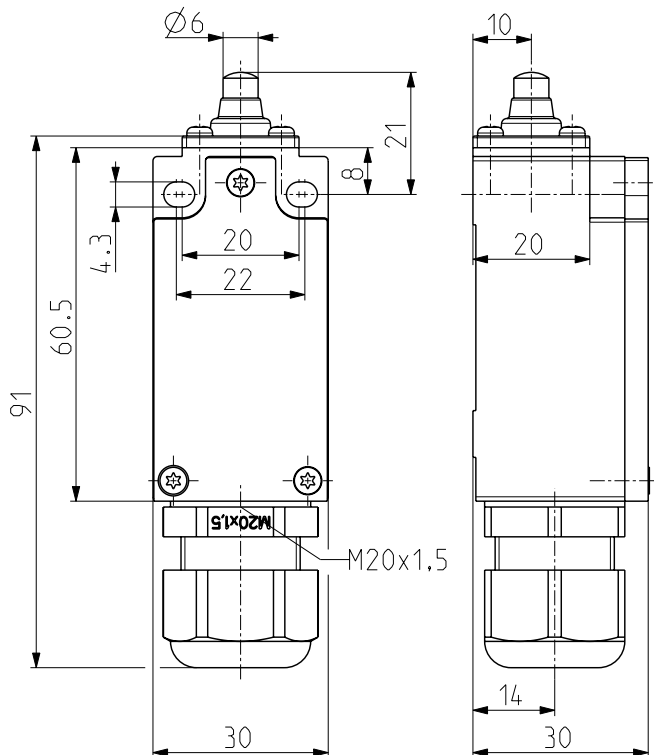
Ex position switch // Ex 95

Features/Options

- Ex zone 1 and 21
- Thermoplastic enclosure
- Design according to EN 50047
- Wiring compartment
- Double insulated
- Available with contact overlapping

- Actuator can be repositioned by 4 x 90°
- Rocking lever can be repositioned by 10° steps
- Gold-plated contacts available on request
- Special version with NIRO screws and NIRO 1.4571 plunger, degree of protection IP 66, salt-mist proof, available
- Special version only for dust Ex zone 22 available
- N.B.: Please state required approvals for Russia and China with your order!

Dimensions



Technical data

Standards	EN 60947-5-1; EN 1088; EN 60079-0, EN 60079-1, EN 60079-7; EN 61241-0, EN 61241-1
Design	DIN EN 50 047
Enclosure	glass-fibre reinforced, shock-proof thermoplastic, self-extinguishing UL 94-V0
Switch insert	Ex 95
Degree of protection	IP 67 or IP 66, salt-mist proof to IEC/EN 60529
Contact material	silver
Switching system	slow action, positive break
Switching elements	NC contact \ominus change-over contact with double break Zb or 2 NC contacts, galvanically separated contact bridges
Connection	M3 screw clamps
Cable section	max. 1.5 mm ² (incl. conductor ferrules)
U_{imp}	4 kV
U_i	250 V
I_{the}	6 A
I_e/U_e	6 A/250 VAC; 0.25 A/230 VDC
Utilisation category	AC-15, DC-13
Max. fuse rating	6 A gG/gN-fuse
Ambient temperature	-20°C ... +60°C
Mechanical life	> 1 million operations
Switching frequency	3600/h
Repeat accuracy	±0.1 mm
Contact gap	max. 2 x 3.5 mm
Ex marking	Ex II 2G Ex de IIC T6, Ex II 2D Ex td A21 IP67 T80°C
Approvals	DMT 01 ATEX E118; IECEX in 2012



Errors and omissions excepted.



Ex position switch // Ex 95

Ordering details

Plunger W	Type	Order no.
* with safety function		95002301
		95002910
		95502301
		95502909
		95202301



Roller plunger R	Type	Order no.
* with safety function		95009301
		95509301
		95209301



Long roller plunger RL	Type	Order no.
* with safety function		95011301
		95011907
		95511301
		95211301





Ex position switch // Ex 95

Ordering details

Roller lever with collar WH	Type	Order no.
* with safety function		95014301 95014912 95514301 95214301



Metal roller lever with collar WHM	Type	Order no.
* with safety function		95014302 95514302 95214302



Long metal roller lever with collar WHLM	Type	Order no.
* with safety function		95016301 95516301 95216301





Ex position switch // Ex 95

Ordering details

Plastic roller lever with collar 4K

Type

Order no.

95064301

* with safety function

95564301

95264301



Rocking roller lever with collar WHKM

Type

Order no.

95018301

* with safety function

95518301

95218301



Parallel roller lever with collar WPH

Type

Order no.

95020301

* with safety function

95020907

95520301

95220301





Ex position switch // Ex 95

Ordering details

Parallel metal roller lever with collar
WPHM

Type

Order no.
95020302
95520302
95220302

* with safety function



Rocking lever D

Type

Order no.
95021301
95021914
95521301
95221301

* with safety function



Rocking lever with rubber roller D50

Type

Order no.
95021302
95521303
95221303

* with safety function





Ex position switch // Ex 95

Ordering details

Adjustable rocking lever DS



Type
Ex 95 DS 1Ö/1S
Ex 95 DS 2Ö
Ex 95 DS 1S/1Ö UE

Order no.
95029301
95529301
95229301

Rod lever DD



Type
Ex 95 DD 1Ö/1S
Ex 95 DD 2Ö
Ex 95 DD 1S/1Ö UE

Order no.
95025301
95525301
95225301

Spring-rod lever DF



Type
Ex 95 DF 1Ö/1S
Ex 95 DF 2Ö
Ex 95 DF 1S/1Ö UE

Order no.
95027301
95527301
95227301



Ex position switch // Ex 95

Ordering details

Spring rod with plastic tip TK



Type
Ex 95 TK 1Ö/1S
Ex 95 TK 2Ö

Order no.
95036301
95536301

Long spring rod TL



Type
Ex 95 TL 1Ö/1S
Ex 95 TL 2Ö

Order no.
95032301
95532301